



SPECIFICATIONS

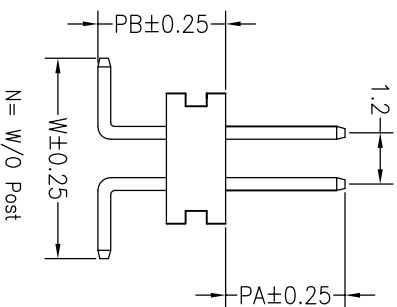
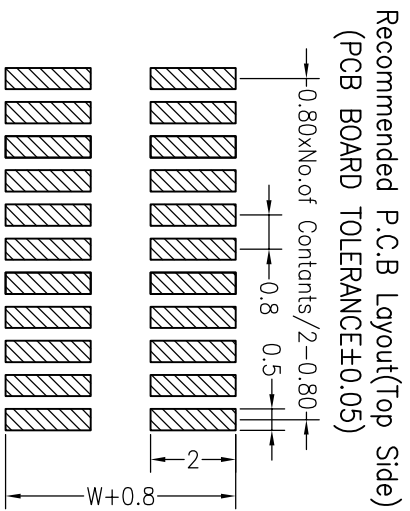
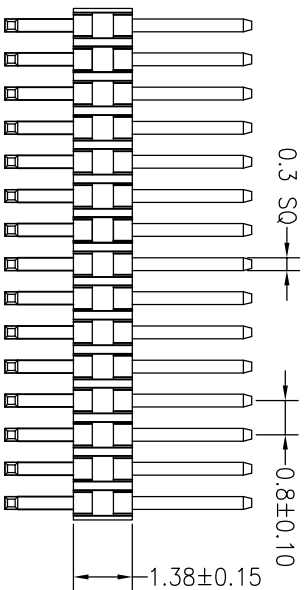
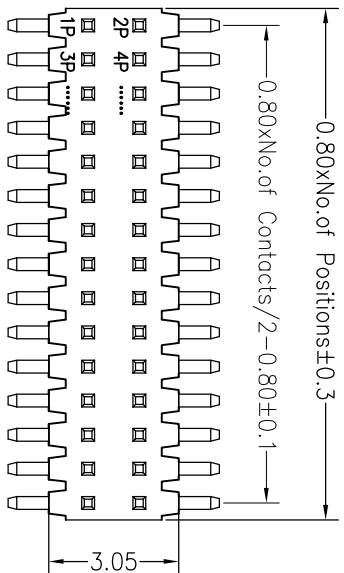
Rated Current: 0.75AMP
 Contact Resistance: 30mΩ Max
 Withstand Voltage: 500V AC/DC
 Insulation Resistance: 1000MΩ Min
 Operation Temperature: -40°C to +105°C

Contact Material: Brass
 Contact Plating: Au Over Ni
 Insulator Material: Polyester (UL94V-0)
 Standard: PA6T
 Max. Processing Temp: 230°C for 30-60 seconds
 (260°C for 10 seconds)

Ordering Information

1713 12XX X X XX M XXX X 01

No. of Pins Per Row: 2~100
 Insulator Material Option:
 A=BK-PBT
 C=BK-PA6T
 D=BK-PA66
 E=BK-PA9T
 F=BK-LCP
 Post: N=W/O Post
 Contact Plating:
 G1: 1U" Gold
 G2: 1.5U" Gold
 G3: 2U" Gold
 G4: 3U" Gold
 G5: 5U" Gold
 S0: Gold Flash/Tin
 SN: Tin
 Pin Length
 Packing:
 O=PE Bag
 A=Tray
 T=Tube
 P=Tube+Cap
 R=Reel+Cap
 M=Reel+Mylar
 SN: Tin



Dimension antitheses list				
ITEM	PA	PB	W	L
Standard	2.80	3.70	4.60	8.00

OPERATION		DRAW		SCALE		FIT	
X.X	±0.30	ChenWei	18.11.17	UNIT	mm	SHEET	1/1
X.XX	±0.20	CHECK		SIZE	A4	PROJ.	
X.XXX	±0.10						
Angle	±3°	APPROVE					
DIM	TOL						
NEW DRAWING		CHANGE					
REV	DATE	MODIFICATION DESCRIPTION					
A0	2018.11.17						

JILIN 深圳市锦凌电子有限公司
 SHENZHEN JINLING ELECTRONIC CO.,LTD
 Tel: 86-755-2997-5806/5802 Fax: 86-755-2997-5992

PART NO. 171312XXXXXXMXXXX01

TITLE: 0.8*1.2mm Pin Header Dual Row SMT